

## WebBrick 8ch-AC Driver

The 8ch-AC Driver is designed to expand the capabilities of a WebBrick Controller so the low power digital outputs can be extended to control devices such as heating actuators.

## Applications

- Heating Zone control
- For use where optical-isolation from WebBrick Controller is necessary
- Boosting output capability of WebBrick Controller.

## Installation Notes

- The WebBrick 8ch-AC Driver's inputs are driven directly from WebBrick Controller's digital outputs although other outputs can be used if set-up correctly.
- At least one of ground connections must be connected to the WebBrick Controller's ground; all 4 ground connections are commoned inside the WebBrick 8ch-AC Driver.
- Analogue outputs can be used if set to the fastest fade rate and only 0 and 100% settings are used.
- Mimic outputs can be used on either 5V or 12V levels and provided the fastest fade rate and only maximum and minimum levels are used.
- At the "Contact" side, the common (C) is connected to one side of all the output "contacts" and this is where the live power to the valves etc is normally wired, see Fig 1.
- The contacts 1-8 are normally connected to each of the live sides of the heating valves to be controlled and a neutral link taken from the valve to the power supply's neutral, see Fig 1.

## Features

- High voltage capability for mains powered actuators
- 8 separately controllable solid-state relays
- Normally open contacts
- Inputs optically isolated from contacts
- Connects directly to a WebBrick Controller<sup>™</sup>
- Protective Earth connection for added safety when used with high voltages
- No external power required for operation
- Low quiescent current
- 70mm wide DIN rail housing with rising-clamp plug-in connectors.



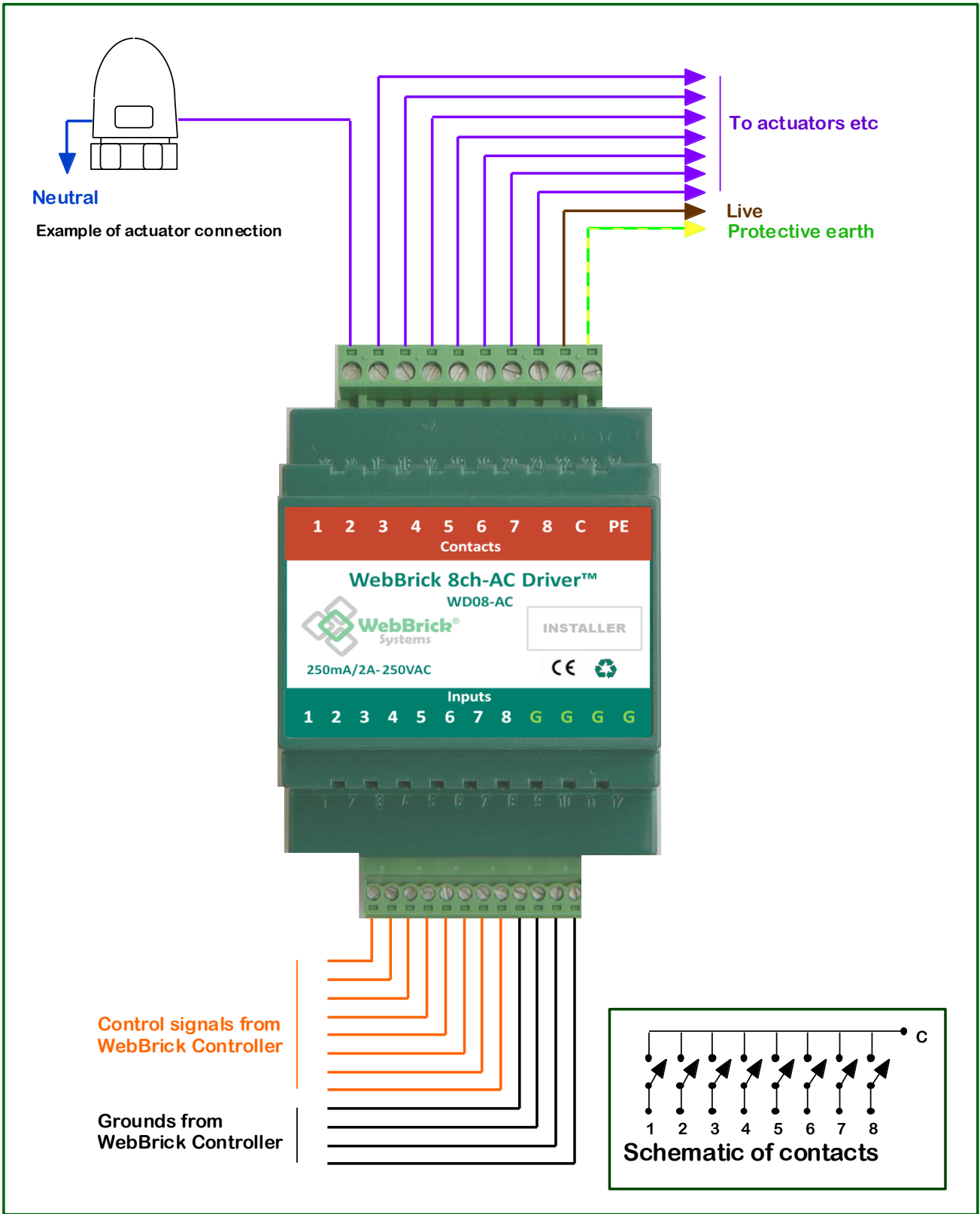


Fig 1, connection diagram.

## Specification

---

### Input

---

Input signal between +5V and +12V DC WRT ground to energise its respective relay output

---

Maximum allowable input current draw, 40 mA @ +12V

---

Inputs have common ground connection

---

### Output

---

250mA maximum continuous current through each of the contacts, 2A surge each output (10 seconds)

---

2A total continuous current, aggregate of all outputs

---

Output contacts rated for AC only 24V to mains 250V RMS

---

## Alert

It is the installer's responsibility to ensure the actuator's peak load does not exceed the rating of the 8ch-AC Driver.