

Clearline<sup>®</sup>



solar

never looked  
so good



WORLD FIRST FOR  
SOLAR



# the solar panel for the way you work

- 50 - 60% of annual hot water
- Offer customers a greener lifestyle
- Meet planning requirements
- Improved Code for Sustainable Homes score
- Relax - we've made it easy

## *speed*

Unlike other systems that require specialist contractors, Clearline was developed to be fitted by the trades people on site, using their existing skills, and at the right time in the build programme. The panel is fitted above continuous membrane and tile battens by the roofing contractor. The proprietary flashing kit is a simple push-fit into the solar panel and the whole panel is fitted in around 15 minutes, ready for tiling.



## *simplicity*

The focus on simplicity and speed has extended to the work inside too. A wall-mounting control unit contains all the electronics and plumbing components. Connection is as simple as four runs of pipe work, and then pouring in the working fluid. The average time to install and commission a system is two to three hours.

Collaboration with experienced professionals from major construction organizations has made Clearline different from other solar panels. Solar has changed so you don't have to.

## confidence

The construction industry rightly demands the highest durability from the materials it uses. Viridian Solar has tested the Clearline to higher levels than ever before. In addition to the European Standard for solar panels, Clearline is the first solar panel to gain certification from the British Board of Agreement and approval from the NHBC.



## clear responsibility

No plumbing connections are made outside the building, so the roofing contractors can take full responsibility for the weather-tightness of the roofing. The plumbing subcontractor can take full responsibility for all plumbing connections in the building.

## stunning looks

Clearline solar panels form an integrated part of the roof covering, replacing tiles beneath. This arrangement produces a small offset cost for the tiles and their fitment, but also greatly enhances the looks.

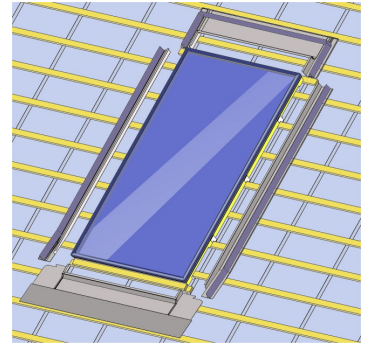
Only 80mm thin, Clearline is flush or slightly proud of the roof covering, and blends harmoniously with the design of the building.

With an expected design life in excess of 25 years, Clearline comes with a 10 year warranty



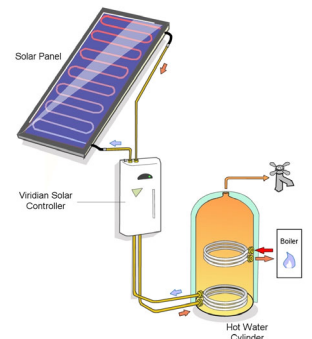
# as easy as

# 1



No plumbing connections to make outside the building. No carpentry.

# 2



Only four runs of pipe to connect to the wall mounting control unit.

Three hours of additional plumbing work to fit and commission.

# 3



Trouble-free, clean heat energy from a harmoniously integrated element of the building design.

# technical

| Solar Panel Type                   |                | V30                          | V20   | V15   |
|------------------------------------|----------------|------------------------------|-------|-------|
| <b>Installation</b>                |                |                              |       |       |
| Nominal Area                       | m <sup>2</sup> | 3.0                          | 2.0   | 1.5   |
| Area of tiles replaced             | m <sup>2</sup> | 4.0                          | 2.5   | 2.0   |
| Width (across roof)                | mm             | 1,164                        | 1,164 | 1,164 |
| Height (up roof)                   | mm             | 2,889                        | 2,043 | 1,479 |
| Thickness                          | mm             | 82                           | 82    | 82    |
| Weight                             | kg             | 62                           | 42    | 31    |
| Weight (filled)                    | kg             | 64                           | 43    | 32    |
| Roof angle                         |                | 20-60 degrees                |       |       |
| Tile compatibility                 |                | Interlocking and plain tiles |       |       |
| <b>Regulatory</b>                  |                |                              |       |       |
| Exposure Limitations               |                | Anywhere in UK               |       |       |
| Fire rating to BS 476-3            |                | AA                           |       |       |
| <b>Thermal Performance for SAP</b> |                |                              |       |       |
| Absorber Area                      | m <sup>2</sup> | 3.0                          | 2.10  | 1.49  |
| Zero Loss Efficiency               |                | 0.81                         | 0.81  | 0.81  |
| Heat Loss Coefficient              |                | 3.9                          | 3.9   | 3.9   |
| <b>Control Unit</b>                |                |                              |       |       |
| Height                             | mm             | 730                          |       |       |
| Width                              | mm             | 340                          |       |       |
| Depth                              | mm             | 200                          |       |       |
| Weight (filled)                    | kg             | 20                           |       |       |
| Weight (empty)                     | kg             | 16                           |       |       |

Viridian Solar has a policy of continuous improvement, and reserves the right to alter specifications without notice. Viridian Solar has made every effort to ensure the accuracy of information but does not accept liability for any errors or omissions.

© Viridian Concepts Ltd. 2007.  
Not to be reproduced wholly or in part without the written permission of Viridian Concepts.  
Viridian Solar is a registered Trademark and trading name of Viridian Concepts Ltd.

**Contact us for a free solar feasibility study for your development.**

“I never thought solar could be so easy”

Gary Blake, Site Manager  
Mansell Construction

“Its really easy to use, you can just get on and do it without having to wait for other people”

Brad Johnson, Roofer  
Bracknell Roofing

“I love it. I’ve hardly had the boiler on – I’d recommend it to anyone ”

Claire  
Resident of Hastoe Housing Association